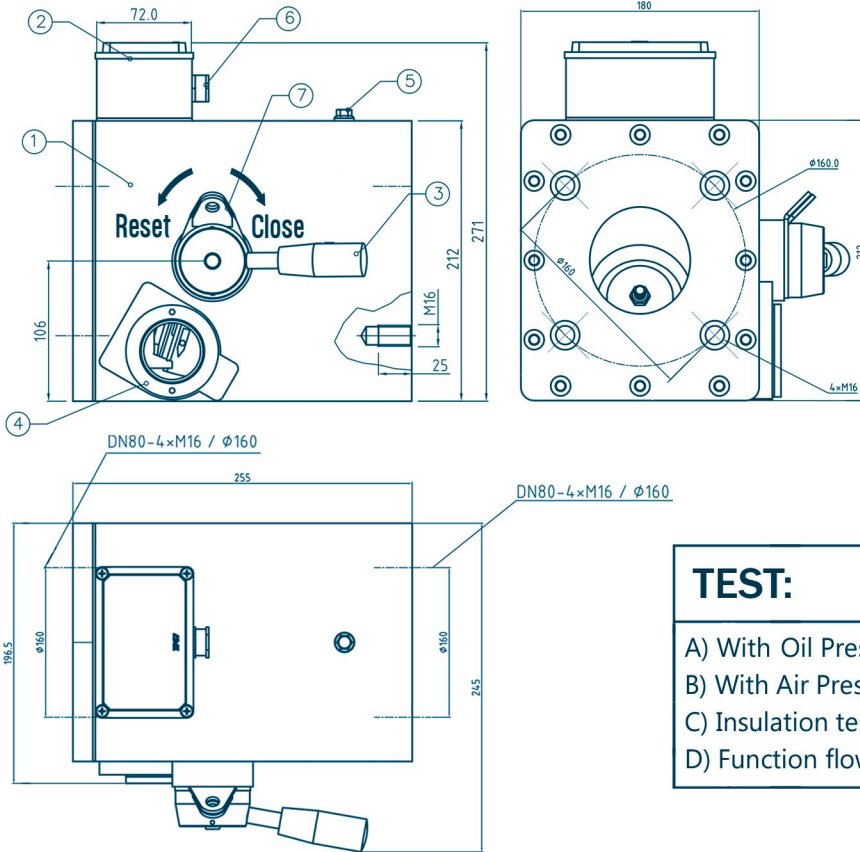


شیر ایمنی یقظرفه

Non-Return Valve (N.R.V)

- DN80-4xM16/Ø160
- Function flow: 70-100 lit/min
- The body material is made of aluminum
- Protection degree: IP67
- Gland: PG16
- Max. switching voltage 350 V DC
- Max. switching current 1 A
- Max. switching power 100 W
- Initial contact resistance ≤150 mΩ



Part No.	Description	
1	Aluminium body	Aluminum
2	Terminal box	Aluminum
3	Lever	Aluminum
4	Optical control	Brass
5	Flow exhaust	Brass
6	Cable Entry	1"/PG16/Ø20
7	Lockable system	

TEST:

- A) With Oil Pressure Of 0.2 bar,120 min
- B) With Air Pressure Of 2 bar,1min (under water)
- C) Insulation test to earth with 2 kv,AC,1 min
- D) Function flow 70-100 lit/min

