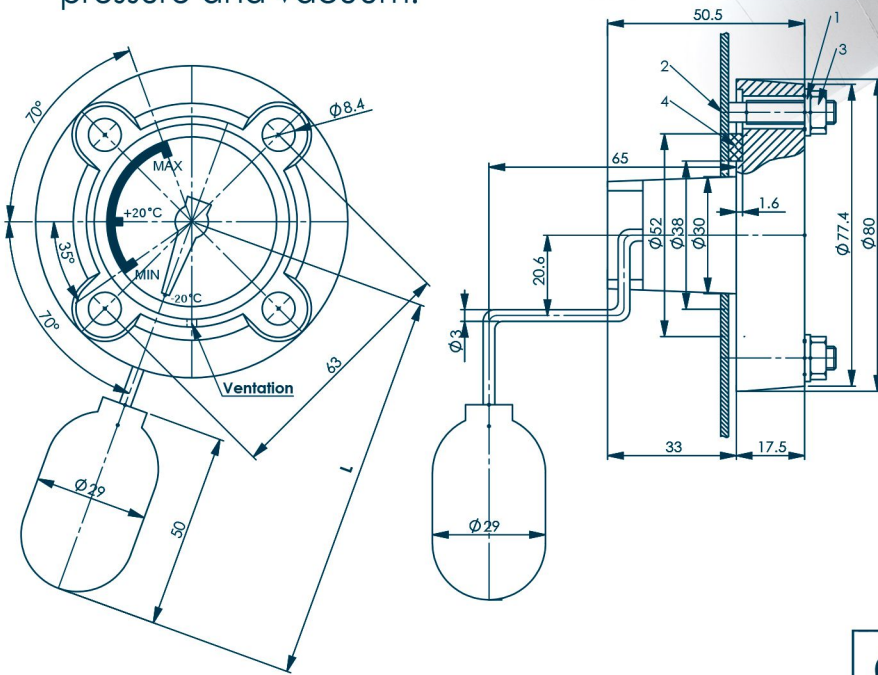


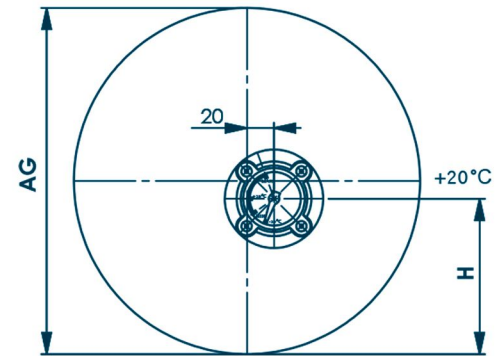
روغن نهایی مغناطیسی


Magnetic Oil Level Indicator

- Oil Level Indicators are used in transformers of powers less than 5000 KVA for monitoring their oil level .
- Indicator part has no contact with the oil.
- Oil level indicators do not allow oil leakage at temperatures of 110°C, 0,5 bar effective pressure and vacuum.




Installation detail on the exp. tank



Part No.	ACCESSORIES			
1	Washer 6.4	DIN 125	St-A4H (zinc coated)	
2	Bolt MP-M6x30		A4H (GD024)	
3	Hex.Nut M6	DIN934	St-A4H(zinc coated)	
4	Flat gasket		(GD140)	

OVERALL DIMENSIONS:

ø AG	Floating length L	Installation height H	
160	68	75	
200	80	88	
250	102	107	
315	124	130	
400	156	160	
500	195	200	

