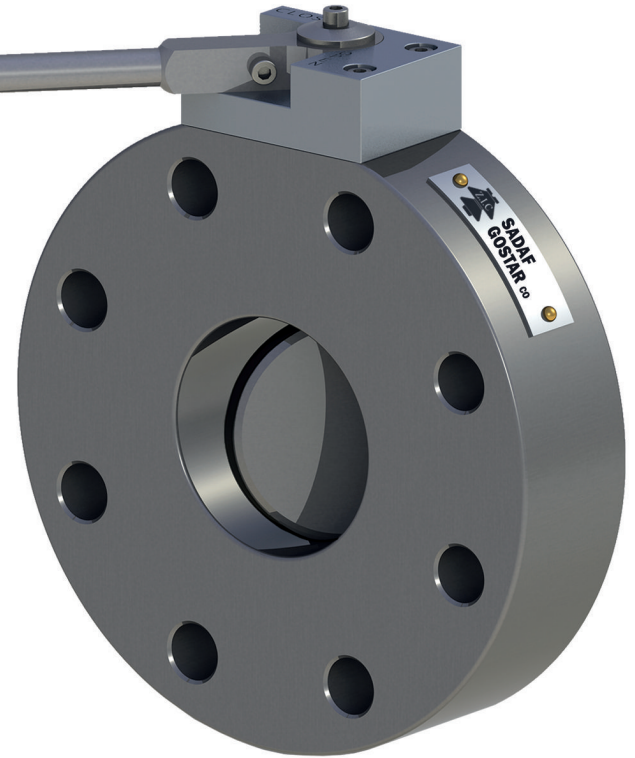


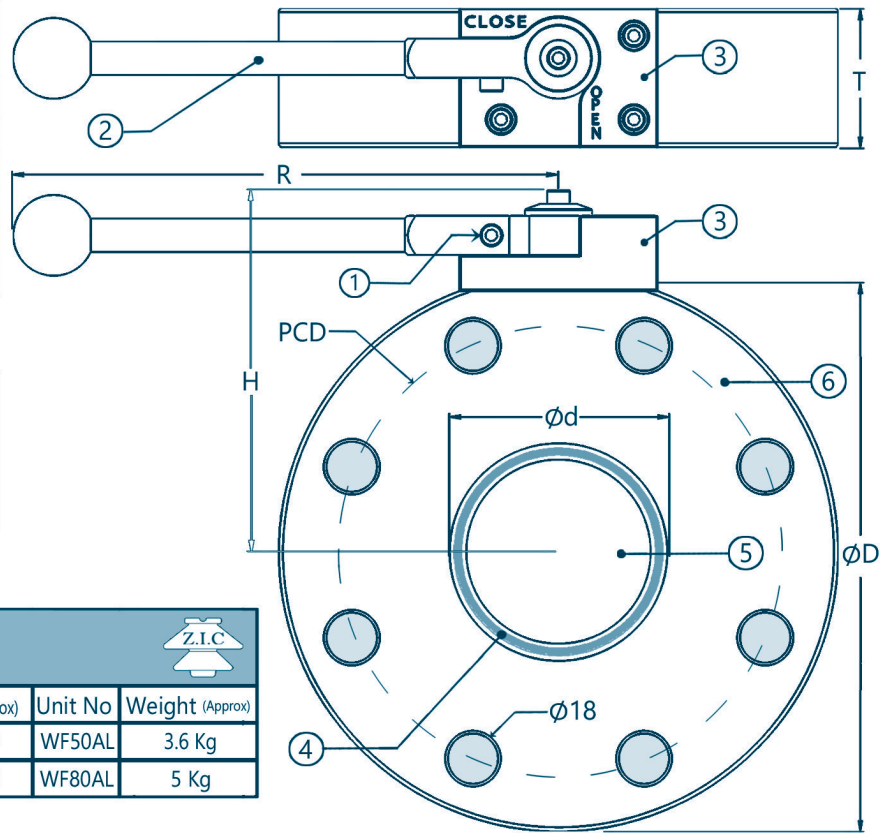
شیر پروانه‌ای (ویفری)

Butterfly Valve - wafer type



- All the valves are tested for sealing and leakage.
- These valves are fixed to the transformer flanges with 8 bolts.
- The indication of the right direction is engraved on the valve's stopper.
- These valves are corrosion resistant.

Part No.	Description	
1	Screw	M5-A2-70
2	Lever	A2-70
3	Stopper	Aluminum
4	O-ring	NBR
5	Flap	Aluminum
6	Valve body	Aluminum



TIGHTNESS TEST:
A) With Oil Pressure Of 1 bar, 90°C, 30'
B) With Air Pressure Of 2 bar (under water)

OVERALL DIMENSIONS:									
Size	D	T	PCD	H(Approx)	N	Ød	R(Approx)	Unit No	Weight (Approx)
DN50	165	50	125	110	4	45	190	WF50AL	3.6 Kg
DN80	200	50	160	140	8	75	190	WF80AL	5 Kg

